



Nantucket
S I N K S

PLYMOUTH COLLECTION



Composite
Kitchen Sinks



V01.19



PLYMOUTH COLLECTION



The **Plymouth Collection** represents a new horizon for Nantucket Sinks. Taking our granite composite to the next level with a sophisticated process of sedimentation during molding. The high surface concentration of more than 80% granite microparticles and 20% acrylic polymers give the sinks unique character and a pleasing, almost velvety touch. Our black, brown and titanium color sinks contain metallic particles that are present in the mixture along with crystals of quartz and granite.

These flecks create a subtle sparkling aesthetic that compliments many of the stainless appliances often found in modern kitchen settings. **The Plymouth Collection** embodies naturally desirable properties of granite composite.

With its high concentration of stone, the sinks can withstand thermal shock up to 560 degrees, are naturally sound dampening, stain resistant, and scratch resistant.

Our Italian manufacturer and Italian designers continue the tradition of excellence in quality, beauty and function that can be seen throughout the collection.



COLORS+FEATURES

PLYMOUTH COLLECTION Granite Composite Sinks are **Bacteria Resistant**, **Scratch Resistant** as well as **Stain Resistant**. Our Non-Porous material provides a safe, hygienic surface for your most used appliance in the kitchen...your sink!



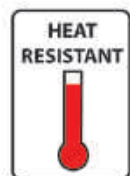
Our color fast UV protection will maintain the life of the sink.



Spills are not an issue with our non-porous granite material.



The sink is your most used appliance. We kept that in mind when designing the technology used to make this antimicrobial surface.



Our granite material is heat resistant up to 560 degrees Fahrenheit.



Verify that the installation process defined fits the needs of your kitchen project.



Verify that the you have the minimum sink base required for installation.



Designed in Italy.

BLACK

BROWN

TITANIUM

TRUFFLE

SAND

WHITE



PLYMOUTH COLLECTION 1

SINGLE BOWL UNDERMOUNT



PR2418-BL



PR2418-BR



PR2418-S

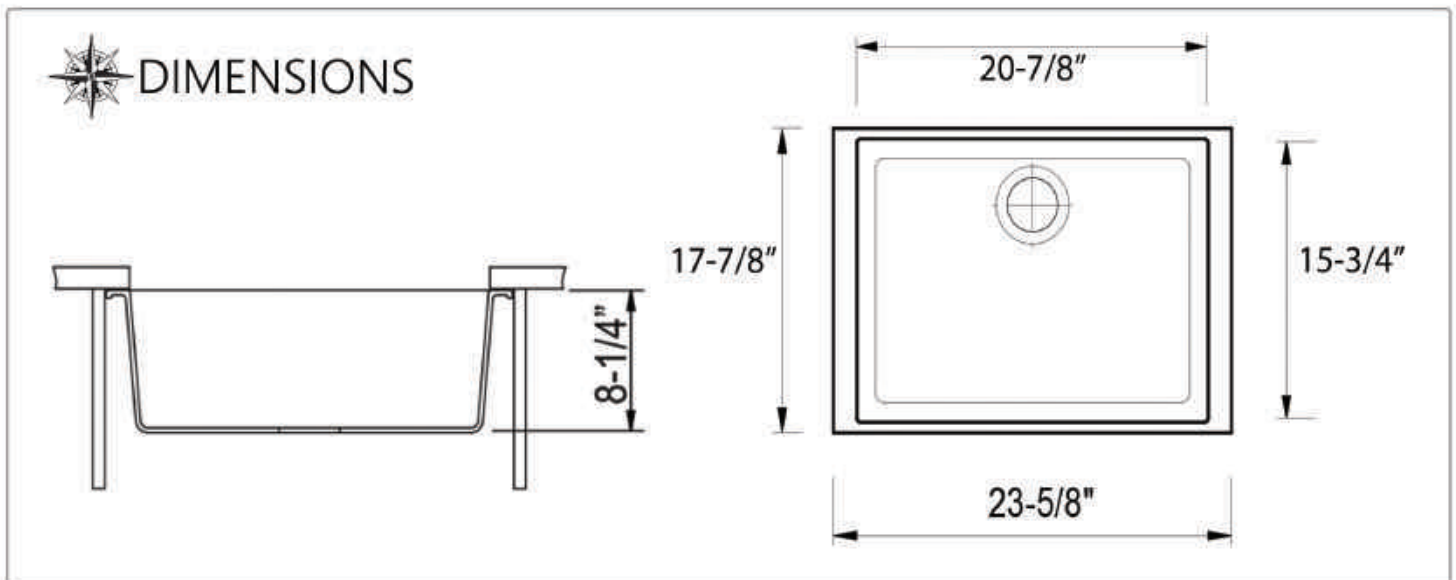


PR2418-W



PR2418-TI

NS35LCC DRAINS SHOWN. DRAINS NOT INCLUDED.



2 PLYMOUTH COLLECTION



SINGLE BOWL UNDERMOUNT



PR3018-S



PR3018-BL



PR3018-W



PR3018-TR



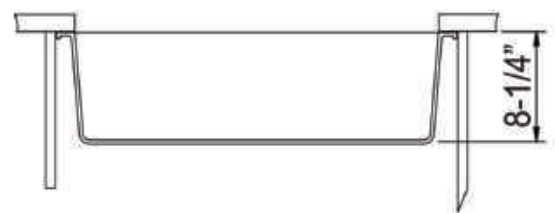
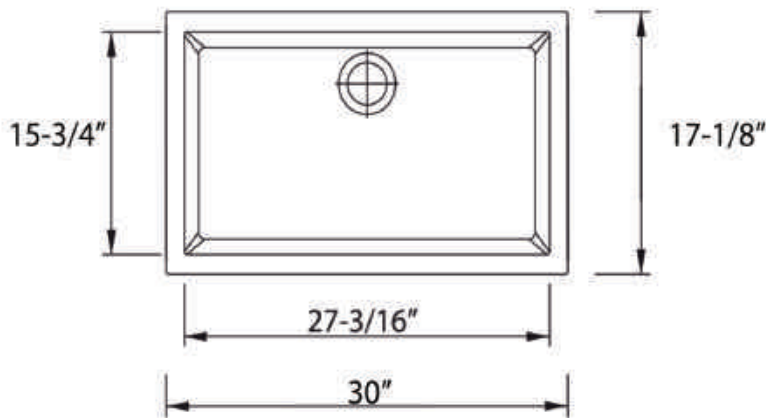
PR3018-BR



PR3018-TI

NS35LCC DRAINS SHOWN. DRAINS NOT INCLUDED.
OPTIONAL BOTTOM GRID BG-PR3018.

DIMENSIONS



SINGLE BOWL UNDERMOUNT

PR3320-BL-UM



PR3320-TI-UM



PR3320-TR-UM



PR3320-S-UM

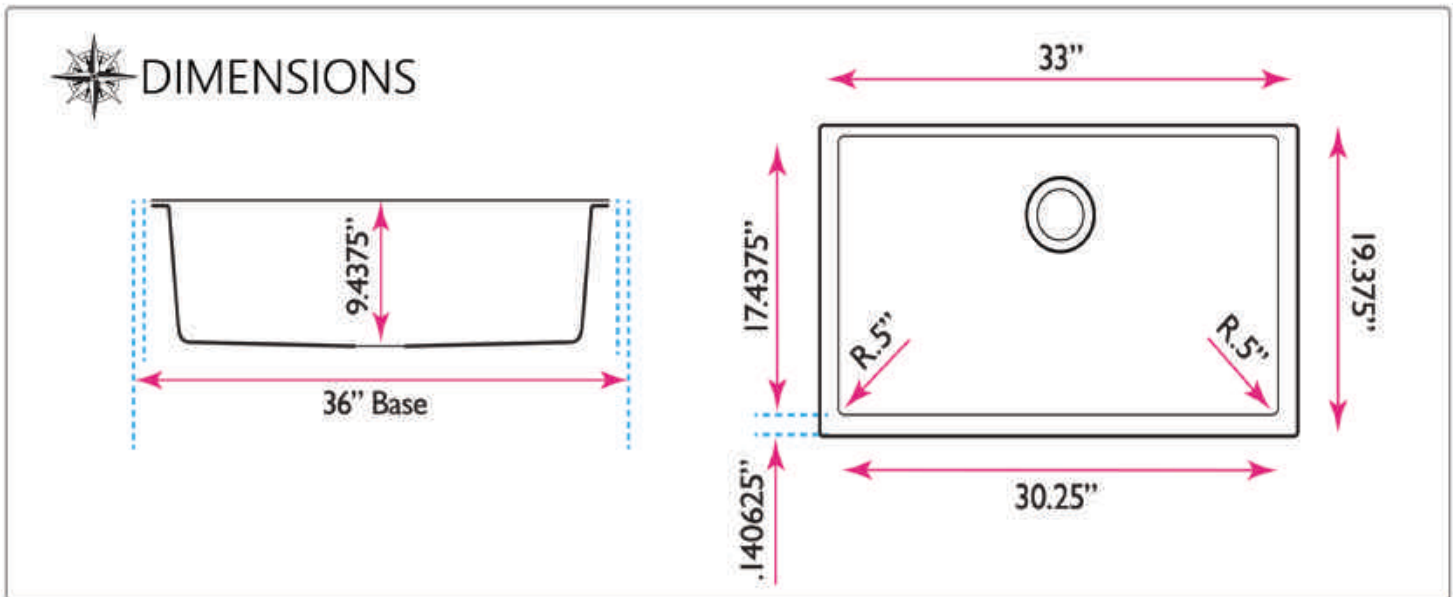


PR3320-BR-UM



PR3320-W-UM

NS35LCC DRAINS SHOWN FOR BOTH SINKS. DRAINS NOT INCLUDED.
OPTIONAL BOTTOM GRID BG-PR3320.



Nantucket
S I N K S

4 PLYMOUTH COLLECTION



DOUBLE BOWL UNDERMOUNT



PR6040-BL-UM



PR6040-TI-UM



PR6040-TR-UM



PR6040-S-UM

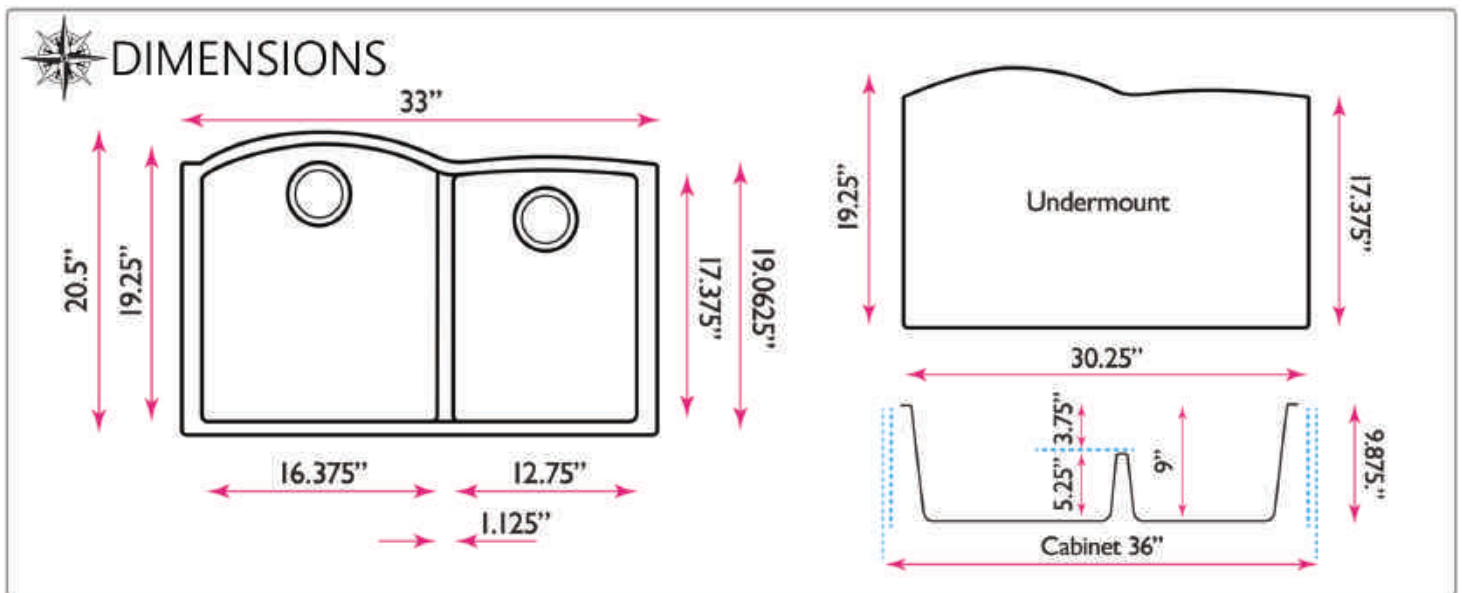


PR6040-BR-UM



PR6040-W-UM

NS35LCC DRAINS SHOWN. DRAINS NOT INCLUDED.



 **Nantucket**
S I N K S
PLYMOUTH COLLECTION 5

DOUBLE BOWL DUAL MOUNT



PR6040-BL



PR6040-S



PR6040-BR

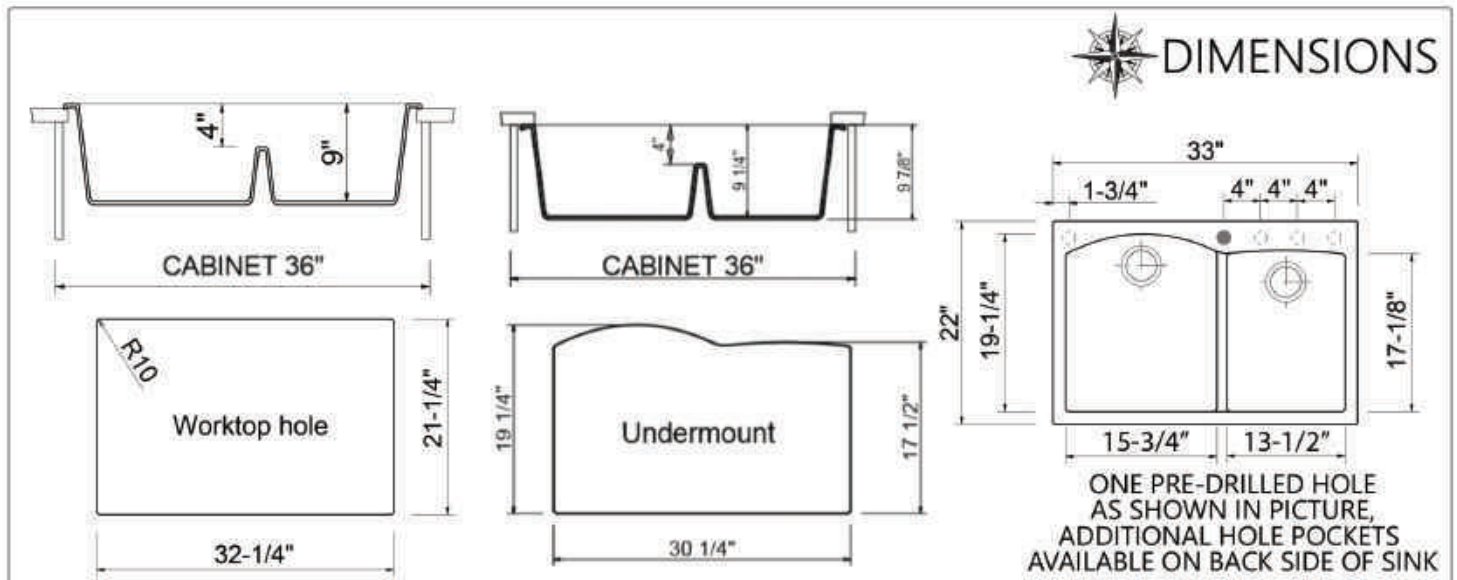


PR6040-TR



PR6040-TI

NS35LCC DRAINS SHOWN. DRAINS NOT INCLUDED.



6 PLYMOUTH COLLECTION





SINGLE BOWL DUAL MOUNT

PR3020-DM-S

NS35LCC DRAINS SHOWN FOR BOTH SINKS.
DRAINS NOT INCLUDED.



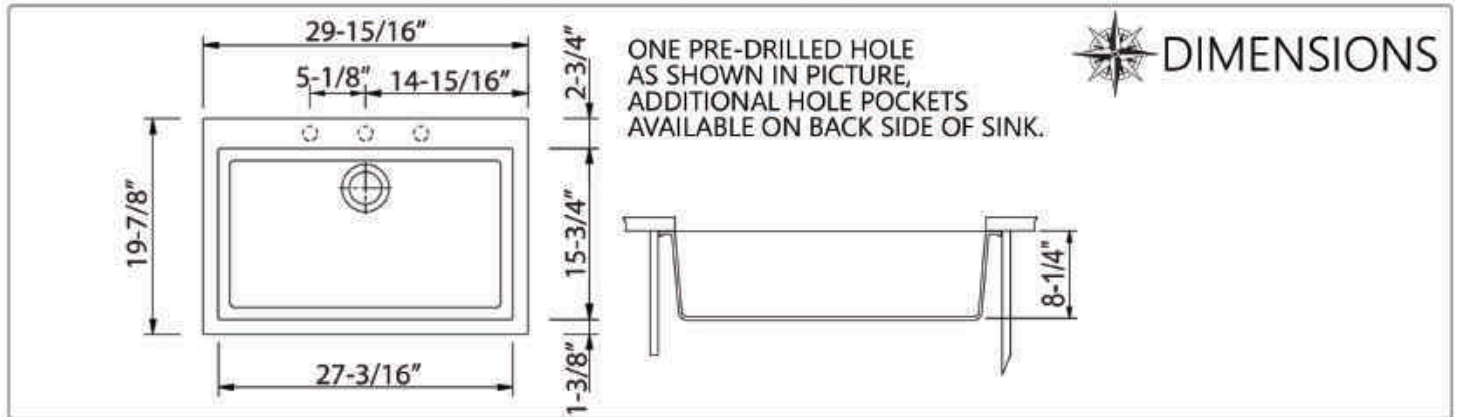
PR3020-DM-BL



PR3020-DM-W



OPTIONAL BOTTOM GRID
BG-PR3018.



PR3322-DM-BL

NS35LCC DRAINS SHOWN FOR BOTH SINKS.
DRAINS NOT INCLUDED.



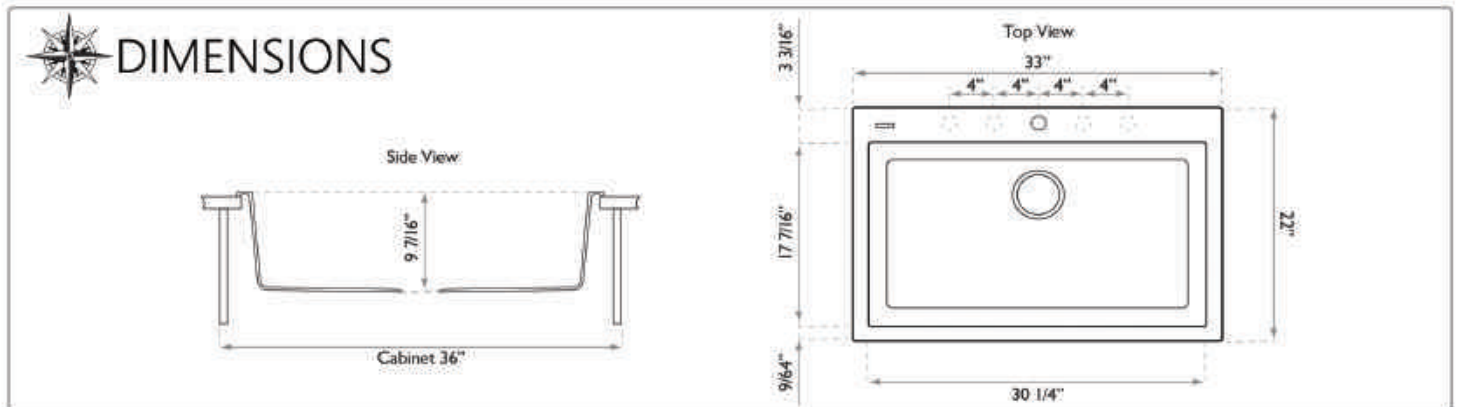
PR3322-DM-BR



PR3322-DM-W

ONE PRE-DRILLED HOLE AS SHOWN IN PICTURE, ADDITIONAL HOLE POCKETS AVAILABLE ON BACK SIDE OF SINK.

OPTIONAL BOTTOM GRID
BG-PR3320.



PLYMOUTH COLLECTION 7

SINGLE BOWL DUAL MOUNT

PR3420PS-BL



ACCESSORIES INCLUDED

SHOWN WITH BLACK TEMPERED GLASS CUTTING BOARDS AND COLANDER



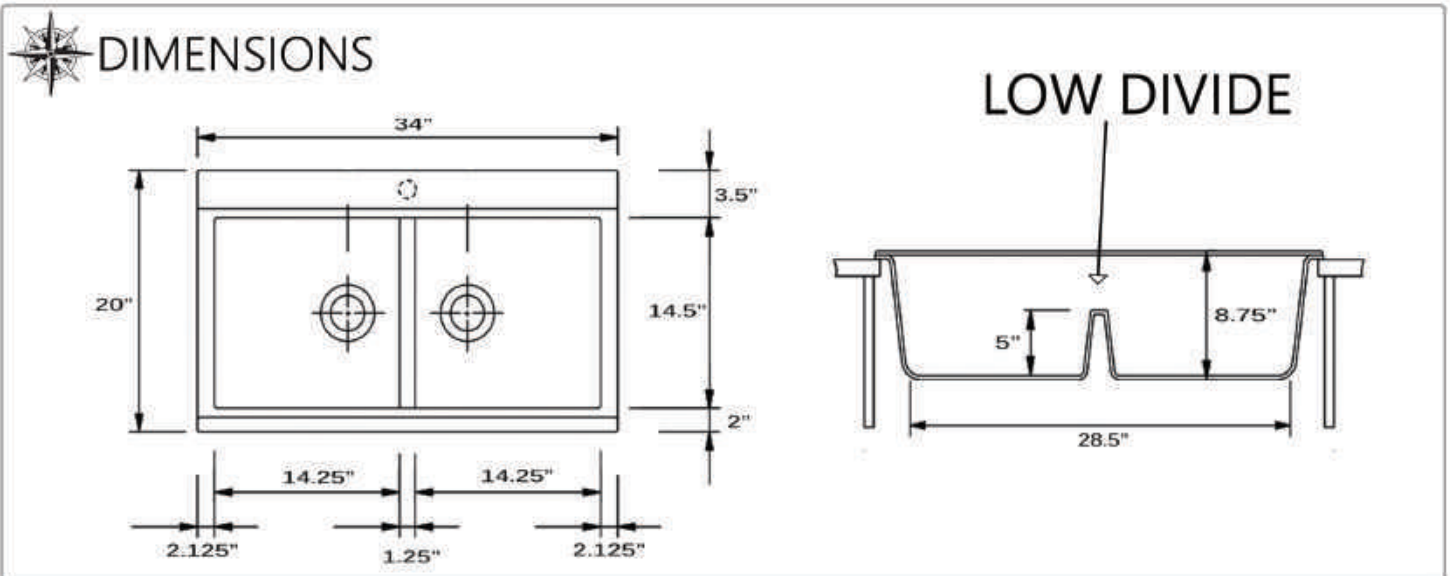
PR3420PS-BR



PR3420PS-W

WHITE TEMPERED GLASS
CUTTING BOARDS

NS35LCC DRAINS SHOWN. DRAINS NOT INCLUDED.



8 PLYMOUTH COLLECTION





SINGLE BOWL UNDERMOUNT BAR/PREP



PR1716-BL



PR1716-S



PR1716-BR

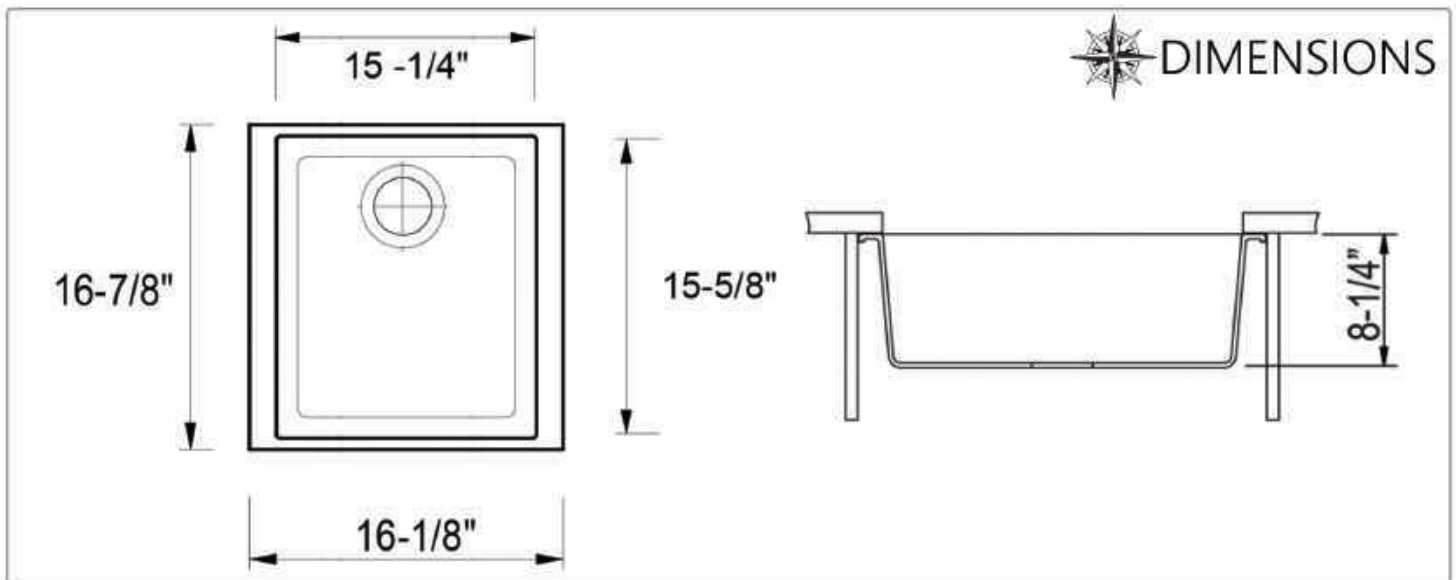


PR1716-TR



PR1716-TI

NS35LCC DRAINS SHOWN, DRAINS NOT INCLUDED.



PLYMOUTH COLLECTION 9

PLYMOUTH COLLECTION



PR3420PS-BL



Nantucket
S I N K S